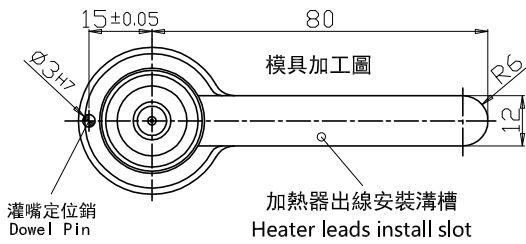


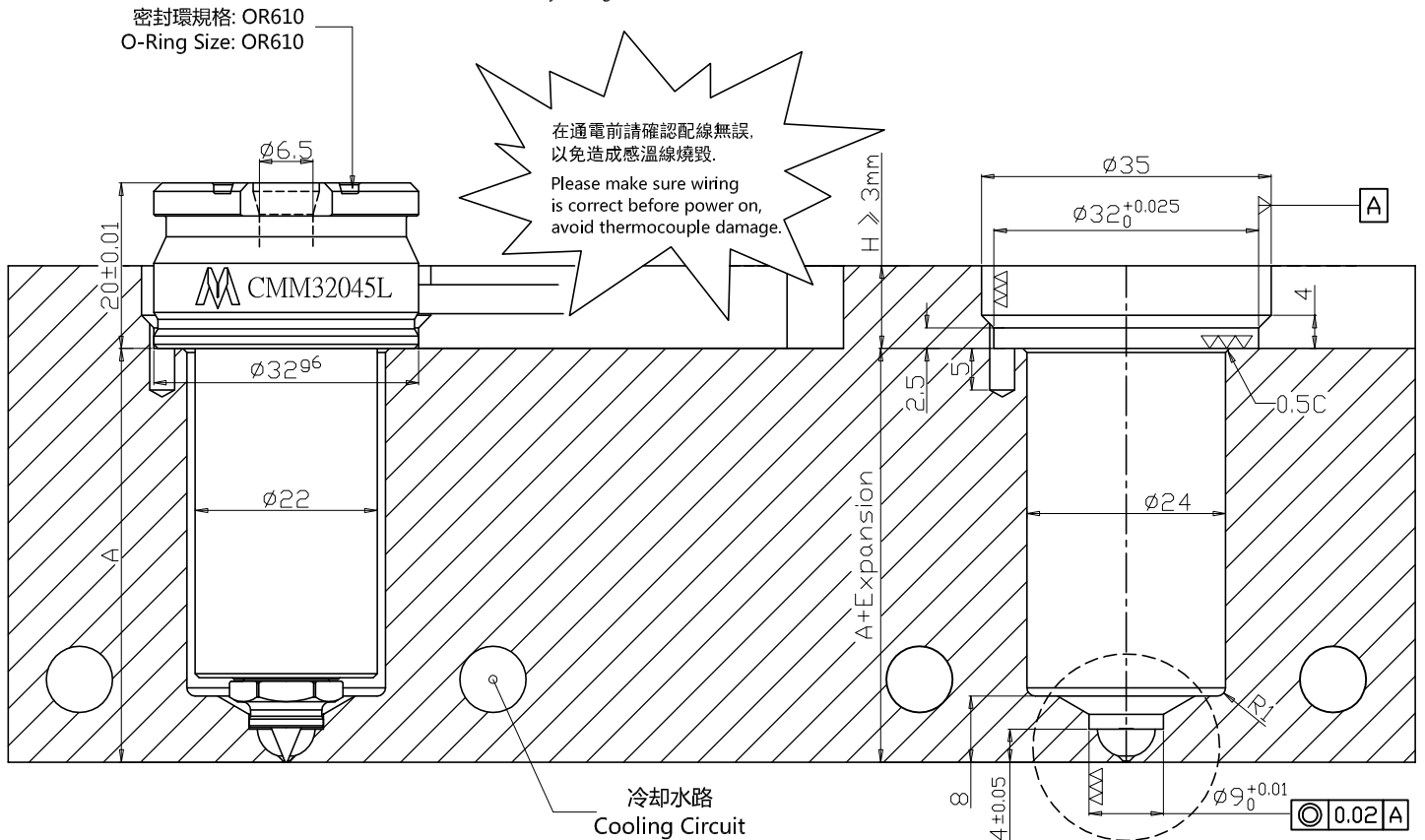
CMM32-Type L



| 灌嘴型號 Nozzle code | A尺寸/mm A Length/mm | 加熱器編號 Heater code | 加熱功率/W Power/W |
|---------------------|-----------------------|----------------------|-------------------|
| CMM32045L | 45 | CH-13033BY | 330 |
| CMM32060L | 60 | CH-13040BY | 400 |
| CMM32075L | 75 | CH-13040BY | 400 |
| CMM32090L | 90 | CH-13047BY | 470 |
| CMM32105L | 105 | CH-13047BY | 470 |

本系列灌嘴長度亦可依模具設計提供客製品, 相關產品圖面需求請與本公司相關人員洽詢。
For C series, we offer tailor-made nozzle length option, please contact us for drawing and further details.

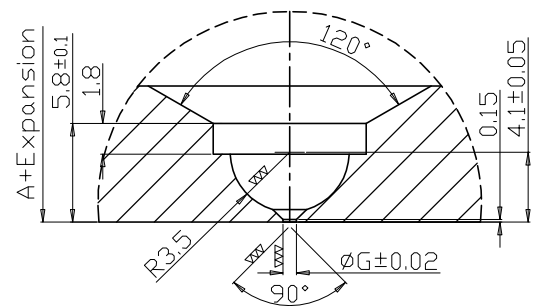
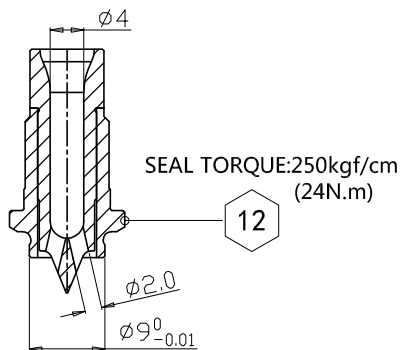
請注意: 本系統加熱器出線共有五條, 其中兩條是電熱線, 顏色各為橘色與灰色, 另外兩條為歐規J型絕緣式感溫線, 紅色代表正極, 藍色代表負極, 最後一條是接地線, 顏色為黃綠色。
Note: Each C series nozzle heater contains 5 wireleads, 2 are for power, the wireleads colour are orange and gray, 2 are for J type insulated thermocouple, the red colour is positive and blue colour is negative, the ground lead colour is yellow green.



灌嘴熱膨脹量參考表

Nozzle thermo expansion length table

| Expansion coefficient | 1.32E-05 | Expansion length |
|-----------------------|----------|------------------|
| Mold temp | 20 | |
| Nozzle temp | 250 | |
| 溫差 | 230 | |
| Nozzle length | 45 | 0.14 |
| | 60 | 0.19 |
| | 75 | 0.23 |
| | 90 | 0.28 |
| | 105 | 0.32 |



Expansion = Nozzle Length(A) x 0.0000132 x (Nozzle temp - Mold temp)

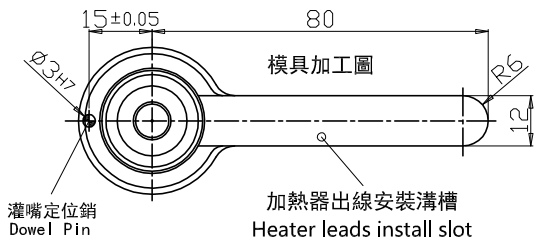
For Example,

Nozzle Length = 45mm,
Nozzle temp = 250°C
Mold temp = 20°C
Expansion = 45 x 0.0000132 x (250 - 20)
= 0.14mm

請注意/Note:
溝口G大小範圍從0.8~2.0mm, 尺寸依成型材質及成品厚薄來決定。

G dimension selection from 0.8~2.0mm, the final size should be determined by application.

CMM32-Type LC

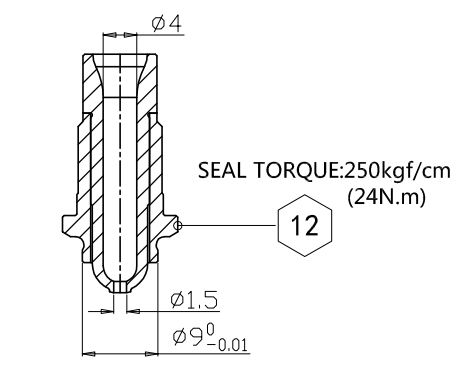
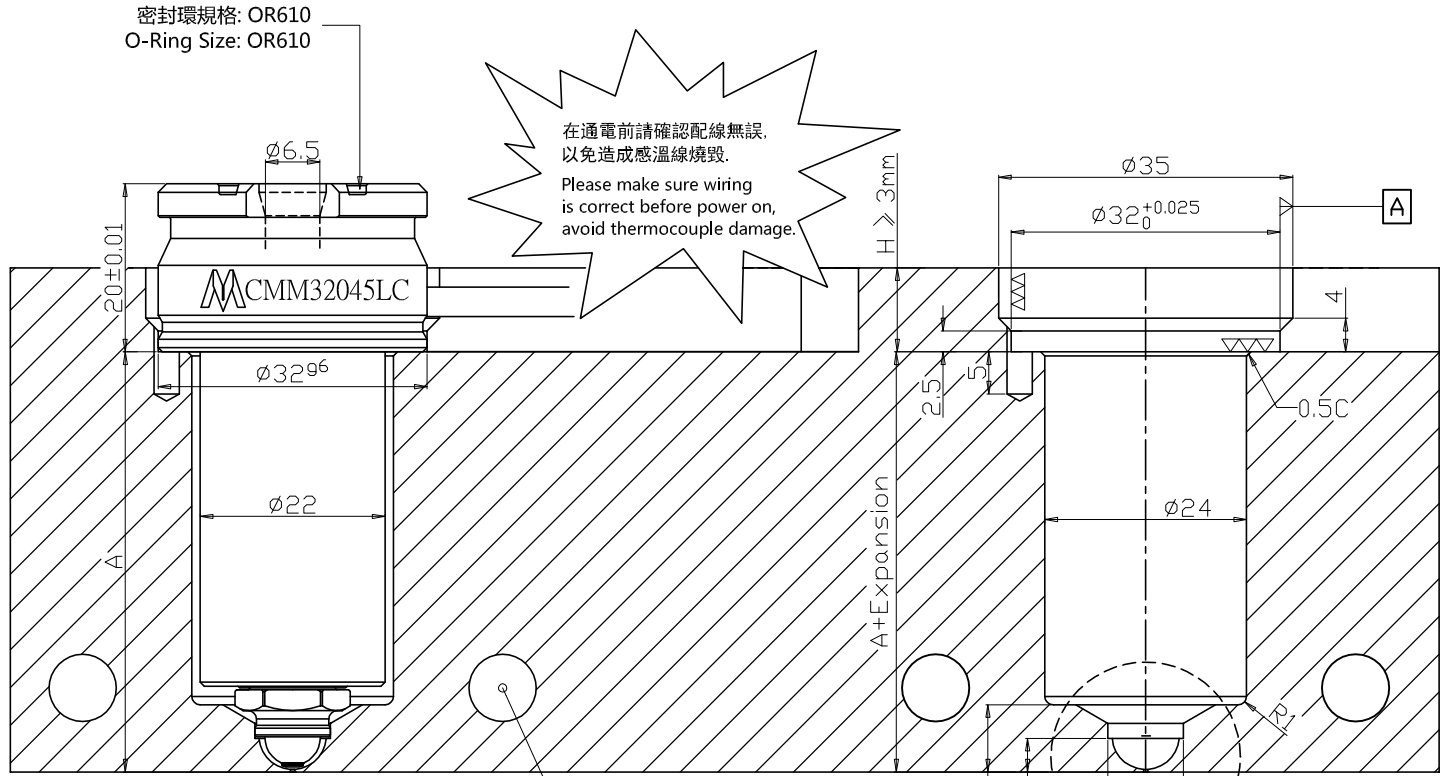


| 灌嘴型號 Nozzle code | A尺寸/mm A Length/mm | 加熱器編號 Heater code | 加熱功率/W Power/W |
|---------------------|-----------------------|----------------------|-------------------|
| CMM32045LC | 45 | CH-13033BY | 330 |
| CMM32060LC | 60 | CH-13040BY | 400 |
| CMM32075LC | 75 | CH-13040BY | 400 |
| CMM32090LC | 90 | CH-13047BY | 470 |
| CMM32105LC | 105 | CH-13047BY | 470 |

本系列灌嘴長度亦可依模具設計提供客製品, 相關產品圖面需求請與本公司相關人員洽詢。
For C series, we offer tailor-made nozzle length option, please contact us for drawing and further details.

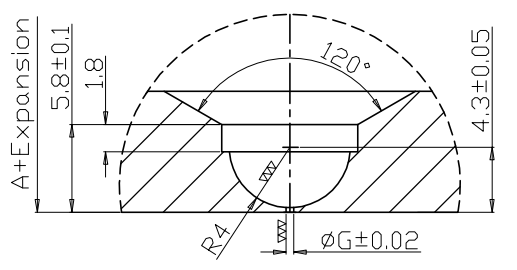
請注意: 本系統加熱器出線共有五條, 其中兩條是電熱線, 顏色各為橘色與灰色, 另外兩條為歐規J型絕緣式感溫線, 紅色代表正極, 藍色代表負極, 最後一條是接地線, 顏色為黃綠色。

Note: Each C series nozzle heater contains 5 wireleads, 2 are for power, the wireleads colour are orange and gray, 2 are for J type insulated thermocouple, the red colour is positive and blue colour is negative, the ground lead colour is yellow green.



灌嘴熱膨脹量參考表
Nozzle thermo expansion length table

| Expansion coefficient | 1.32E-05 | Expansion length |
|-----------------------|----------|------------------|
| Mold temp | 20 | |
| Nozzle temp | 250 | |
| 溫差 | 230 | |
| Nozzle length | 45 | 0.14 |
| | 60 | 0.19 |
| | 75 | 0.23 |
| | 90 | 0.28 |
| | 105 | 0.32 |

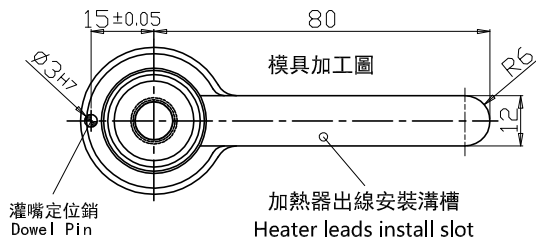


Expansion = Nozzle Length(A) x 0.0000132 x (Nozzle temp - Mold temp)
For Example,

Nozzle Length = 45mm,
Nozzle temp = 250°C
Mold temp = 20°C
Expansion = 45 x 0.0000132 x (250 - 20)
= 0.14mm

請注意/Note:
澆口G大小範圍從0.5~1.5mm, 尺寸依成型材質及成品厚薄來決定。
G dimension selection from 0.5~1.5mm, the final size should be determined by application.

CMM32-Type S

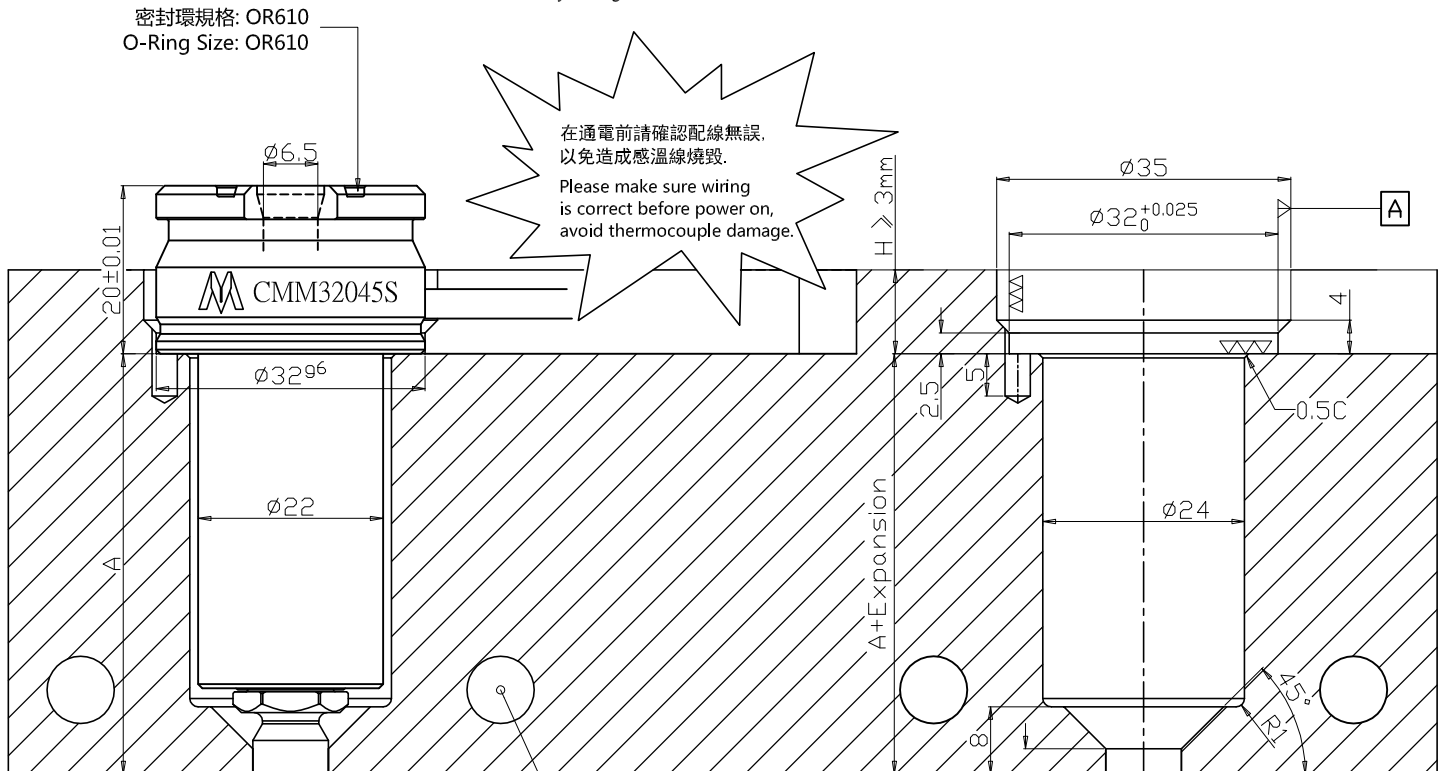


| 灌嘴型號 Nozzle code | A尺寸/mm A Length/mm | 加熱器編號 Heater code | 加熱功率/W Power/W |
|---------------------|-----------------------|----------------------|-------------------|
| CMM32045S | 45 | CH-13033BY | 330 |
| CMM32060S | 60 | CH-13040BY | 400 |
| CMM32075S | 75 | CH-13040BY | 400 |
| CMM32090S | 90 | CH-13047BY | 470 |
| CMM32105S | 105 | CH-13047BY | 470 |

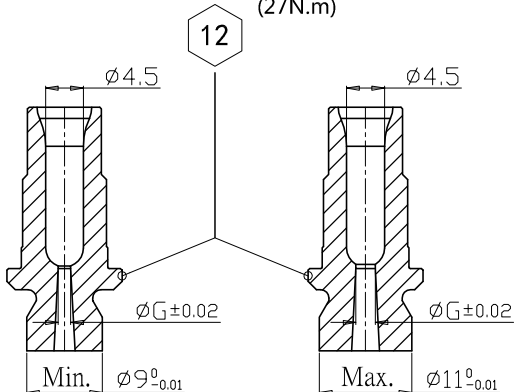
本系列灌嘴長度亦可依模具設計提供客製品, 相關產品圖面需求請與本公司相關人員洽詢。
For C series, we offer tailor-made nozzle length option, please contact us for drawing and further details.

請注意: 本系統加熱器出線共有五條, 其中兩條是電熱線, 顏色各為橘色與灰色, 另外兩條為歐規J型絕緣式感溫線, 紅色代表正極, 藍色代表負極, 最後一條是接地線, 顏色為黃綠色。

Note: Each C series nozzle heater contains 5 wireleads, 2 are for power, the wireleads colour are orange and gray, 2 are for J type insulated thermocouple, the red colour is positive and blue colour is negative, the ground lead colour is yellow green.



SEAL TORQUE: 280kgf/cm (27N.m)



冷却水路
Cooling Circuit

灌嘴熱膨脹量參考表

Nozzle thermo expansion length table

| Expansion coefficient | 1.32E-05 | Expansion length |
|-----------------------|----------|------------------|
| Mold temp | 20 | |
| Nozzle temp | 250 | |
| 溫差 | 230 | |
| Nozzle length | 45 | 0.14 |
| | 60 | 0.19 |
| | 75 | 0.23 |
| | 90 | 0.28 |
| | 105 | 0.32 |

| ØD尺寸/mm ØD dia/mm | L尺寸/mm L Length/mm |
|----------------------|-----------------------|
| Min. 9.0 | 3.0 |
| Max. 11.0 | 4.0 |

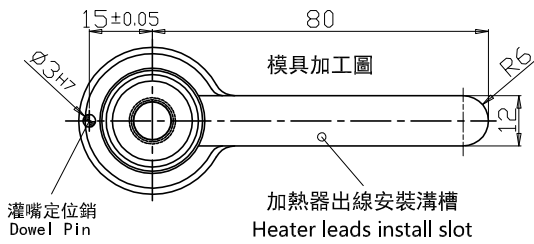
Expansion = Nozzle Length(A) x 0.0000132 x (Nozzle temp - Mold temp)

For Example,

Nozzle Length = 45mm,
Nozzle temp = 250°C
Mold temp = 20°C
Expansion = 45 x 0.0000132 x (250 - 20)
= 0.14mm

請注意/Note:
澆口G大小範圍從1.4~2.2mm, 尺寸依成型材質及成品厚薄來決定。
G dimension selection from 1.4~2.2mm, the final size should be determined by application.

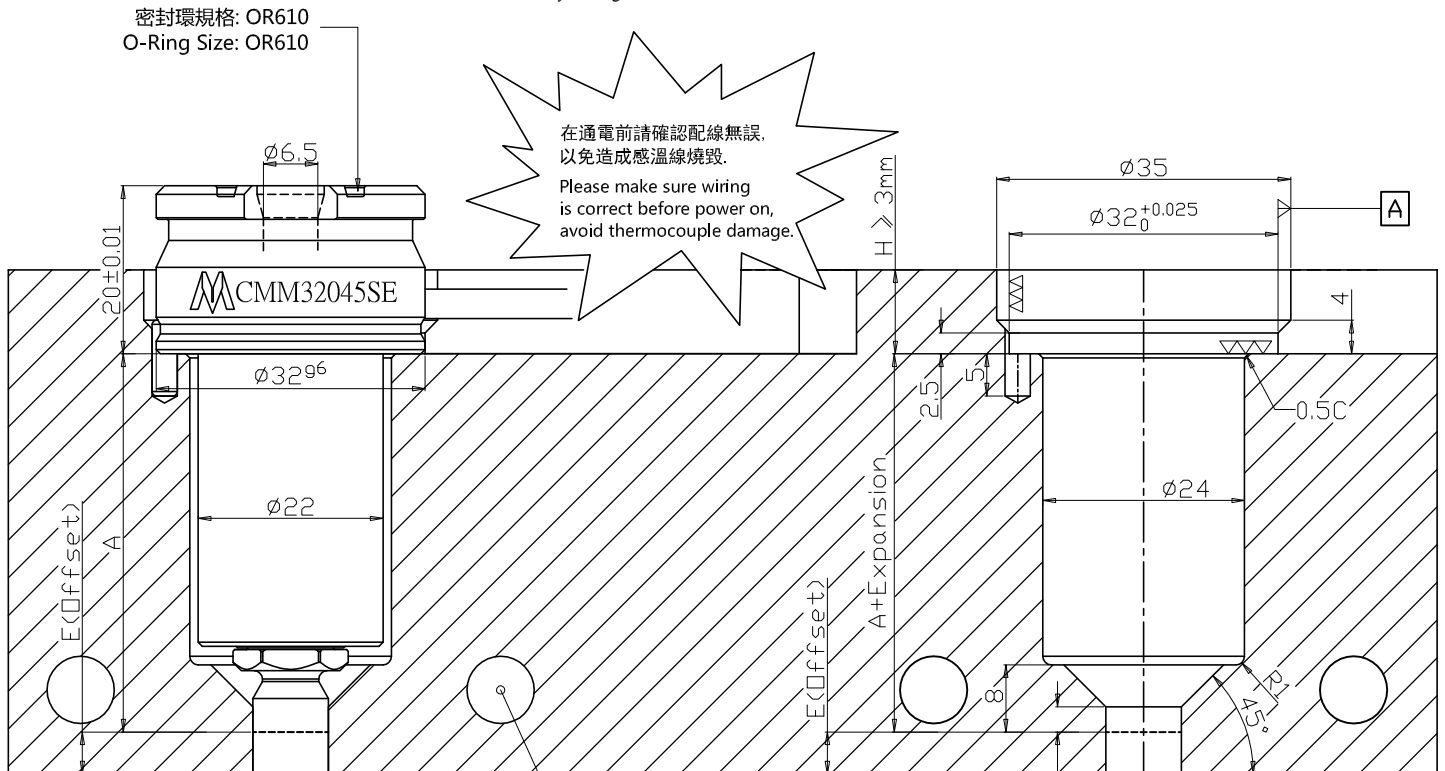
CMM32-Type SE



| 灌嘴型號 Nozzle code | A尺寸/mm A Length/mm | 加熱器編號 Heater code | 加熱功率/W Power/W |
|---------------------|-----------------------|----------------------|-------------------|
| CMM32045SE | 45 | CH-13033BY | 330 |
| CMM32060SE | 60 | CH-13040BY | 400 |
| CMM32075SE | 75 | CH-13040BY | 400 |
| CMM32090SE | 90 | CH-13047BY | 470 |
| CMM32105SE | 105 | CH-13047BY | 470 |

本系列灌嘴長度亦可依模具設計提供客製品, 相關產品圖面需求請與本公司相關人員洽詢。
For C series, we offer tailor-made nozzle length option, please contact us for drawing and further details.

請注意: 本系統加熱器出線共有五條, 其中兩條是電熱線, 顏色各為橘色與灰色, 另外兩條為歐規J型絕緣式感溫線, 紅色代表正極, 藍色代表負極, 最後一條是接地線, 顏色為黃綠色。
Note: Each C series nozzle heater contains 5 wireleads, 2 are for power, the wireleads colour are orange and gray, 2 are for J type insulated thermocouple, the red colour is positive and blue colour is negative, the ground lead colour is yellow green.



SEAL TORQUE: 280kgf/cm (27N.m)

冷却水路
Cooling Circuit

灌嘴熱膨脹量參考表

Nozzle thermo expansion length table

| Expansion coefficient | 1.32E-05 | Expansion length |
|-----------------------|----------|------------------|
| Mold temp | 20 | |
| Nozzle temp | 250 | |
| 溫差 | 230 | |
| Nozzle length | 45 | 0.14 |
| | 60 | 0.19 |
| | 75 | 0.23 |
| | 90 | 0.28 |
| | 105 | 0.32 |

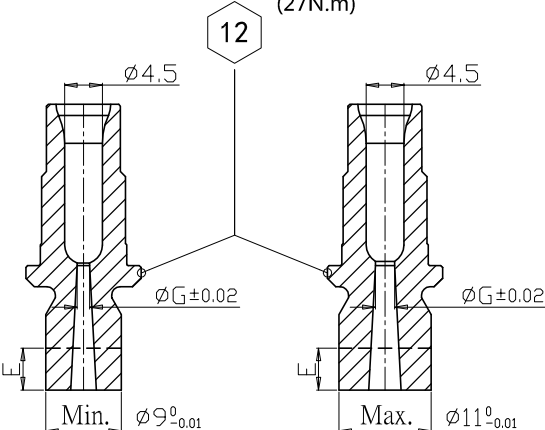
| ØD尺寸/mm ØD dia/mm | L尺寸/mm L Length/mm |
|----------------------|-----------------------|
| Min. 9.0 | 3.0 |
| Max. 11.0 | 4.0 |

請注意/Note:
E尺寸可依客戶模具需求訂制合適的長度尺寸。
Dimension E can be customized by customer demand.

Expansion = Nozzle Length(A) x 0.0000132 x (Nozzle temp - Mold temp)

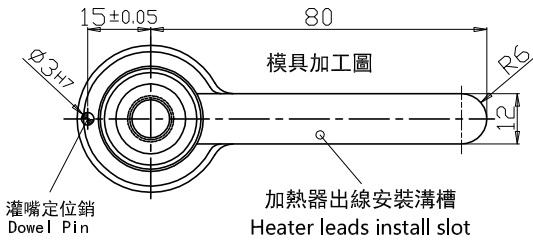
For Example,

Nozzle Length = 45mm,
Nozzle temp = 250°C
Mold temp = 20°C
Expansion = 45 x 0.0000132 x (250 - 20)
= 0.14mm



請注意/Note:
澆口G大小範圍從Ø1.4~2.2mm, 尺寸依成型材質及成品厚薄來決定。
G dimension selection from Ø1.4~2.2mm, the final size should be determined by application.

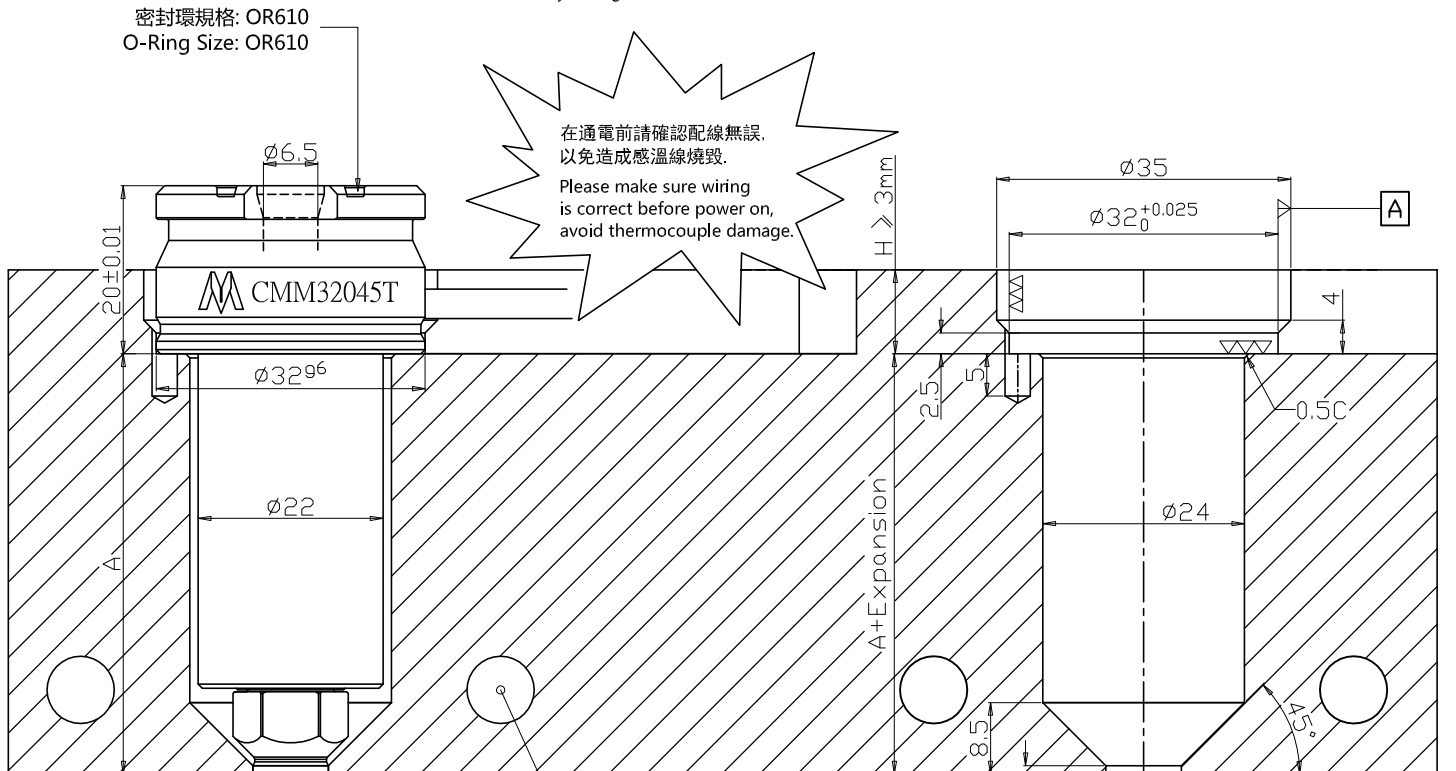
CMM32-Type T



| 灌嘴型號 Nozzle code | A尺寸/mm A Length/mm | 加熱器編號 Heater code | 加熱功率/W Power/W |
|---------------------|-----------------------|----------------------|-------------------|
| CMM32045T | 45 | CH-13033BY | 330 |
| CMM32060T | 60 | CH-13040BY | 400 |
| CMM32075T | 75 | CH-13040BY | 400 |
| CMM32090T | 90 | CH-13047BY | 470 |
| CMM32105T | 105 | CH-13047BY | 470 |

本系列灌嘴長度亦可依模具設計提供客製品, 相關產品圖面需求請與本公司相關人員洽詢。
For C series, we offer tailor-made nozzle length option, please contact us for drawing and further details.

請注意: 本系統加熱器出線共有五條, 其中兩條是電熱線, 顏色各為橘色與灰色, 另外兩條為歐規J型絕緣式感溫線, 紅色代表正極, 藍色代表負極, 最後一條是接地線, 顏色為黃綠色。
Note: Each C series nozzle heater contains 5 wireleads, 2 are for power, the wireleads colour are orange and gray, 2 are for J type insulated thermocouple, the red colour is positive and blue colour is negative, the ground lead colour is yellow green.



SEAL TORQUE: 250kgf/cm (24N.m)

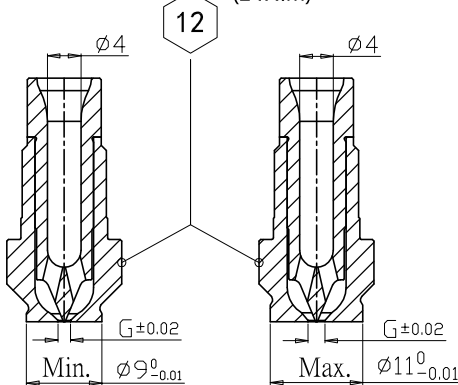
冷却水路
Cooling Circuit

灌嘴熱膨脹量參考表

Nozzle thermo expansion length table

| Expansion coefficient | 1.32E-05 | Expansion length |
|-----------------------|----------|------------------|
| Mold temp | 20 | |
| Nozzle temp | 250 | |
| 溫差 | 230 | |
| Nozzle length | 45 | 0.14 |
| | 60 | 0.19 |
| | 75 | 0.23 |
| | 90 | 0.28 |
| | 105 | 0.32 |

| ØD尺寸/mm ØD dia/mm | L尺寸/mm L Length/mm |
|----------------------|-----------------------|
| Min. 9.0 | 1.0 |
| Max. 11.0 | 2.0 |



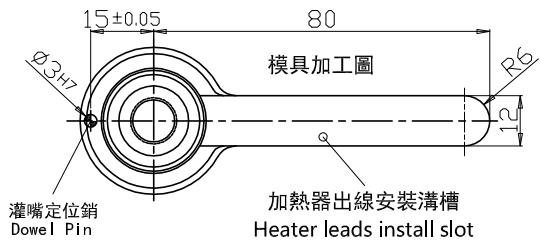
$$\text{Expansion} = \text{Nozzle Length}(A) \times 0.0000132 \times (\text{Nozzle temp} - \text{Mold temp})$$

For Example,

Nozzle Length=45mm,
Nozzle temp=250°C
Mold temp=20°C
Expansion=45x0.0000132x(250-20)
=0.14mm

請注意/Note:
澆口G大小範圍從0.9~2.0mm, 尺寸依成型材質及成品厚薄來決定。
G dimension selection from 0.9~2.0mm, the final size should be determined by application.

CMM32-Type TC

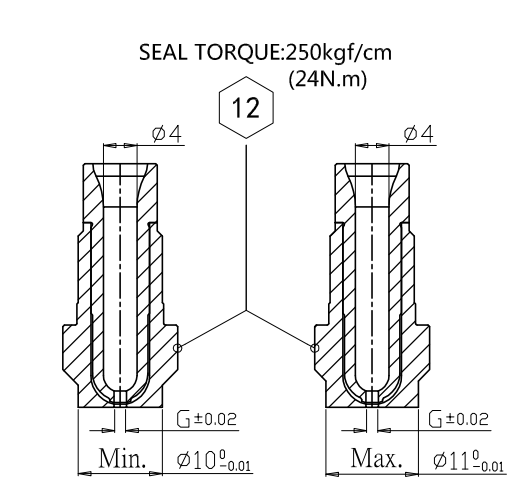
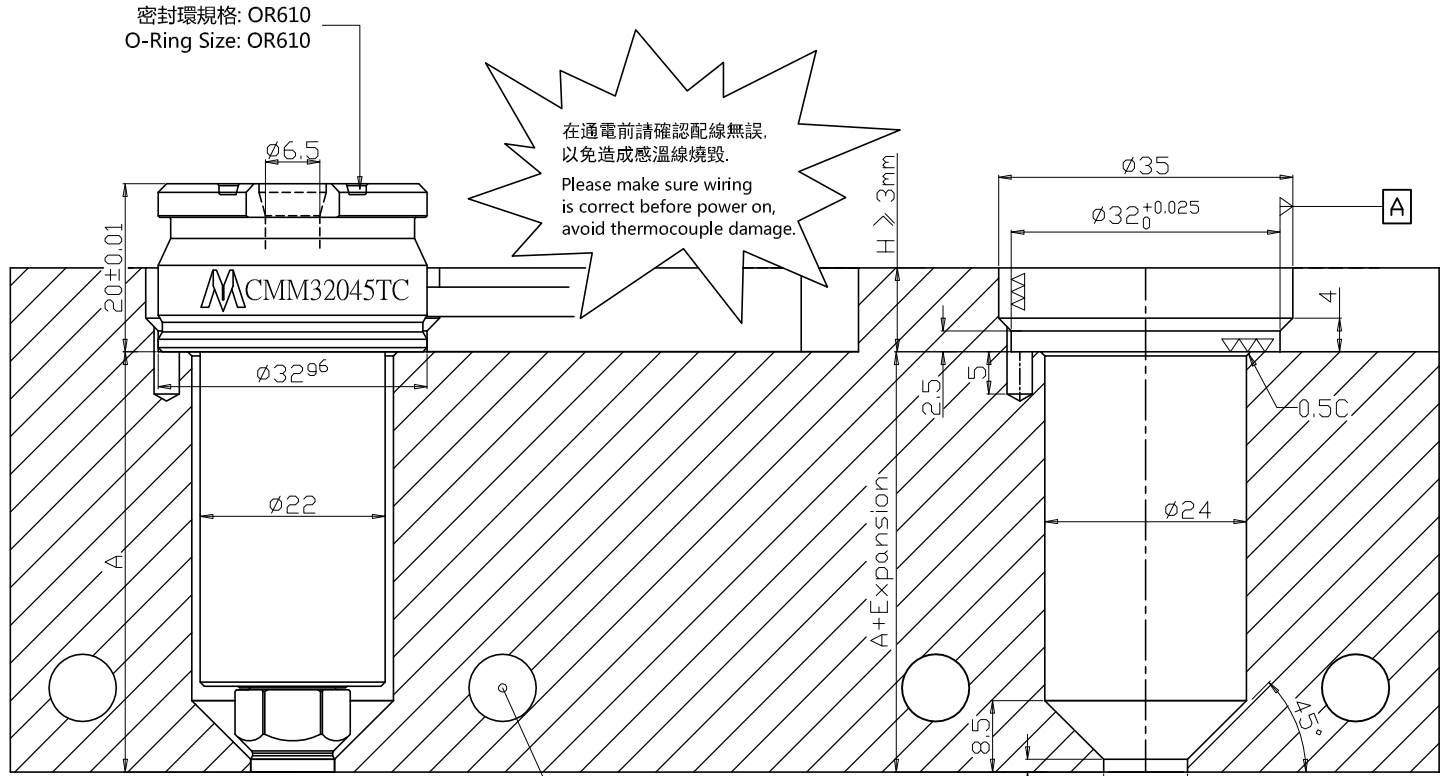


| 灌嘴型號 Nozzle code | A尺寸/mm A Length/mm | 加熱器編號 Heater code | 加熱功率/W Power/W |
|---------------------|-----------------------|----------------------|-------------------|
| CMM32045TC | 45 | CH-13033BY | 330 |
| CMM32060TC | 60 | CH-13040BY | 400 |
| CMM32075TC | 75 | CH-13040BY | 400 |
| CMM32090TC | 90 | CH-13047BY | 470 |
| CMM32105TC | 105 | CH-13047BY | 470 |

本系列灌嘴長度亦可依模具設計提供客製品, 相關產品圖面需求請與本公司相關人員洽詢。
For C series, we offer tailor-made nozzle length option, please contact us for drawing and further details.

請注意: 本系統加熱器出線共有五條, 其中兩條是電熱線, 顏色各為橘色與灰色, 另外兩條為歐規J型絕緣式感溫線, 紅色代表正極, 藍色代表負極, 最後一條是接地線, 顏色為黃綠色。

Note: Each C series nozzle heater contains 5 wireleads, 2 are for power, the wireleads colour are orange and gray, 2 are for J type insulated thermocouple, the red colour is positive and blue colour is negative, the ground lead colour is yellow green.



灌嘴熱膨脹量參考表
Nozzle thermo expansion length table

| Expansion coefficient | 1.32E-05 | Expansion length |
|-----------------------|----------|------------------|
| Mold temp | 20 | |
| Nozzle temp | 250 | |
| 溫差 | 230 | |
| Nozzle length | 45 | 0.14 |
| | 60 | 0.19 |
| | 75 | 0.23 |
| | 90 | 0.28 |
| | 105 | 0.32 |

| ØD尺寸/mm ØD dia/mm | L尺寸/mm L Length/mm |
|----------------------|-----------------------|
| Min. 10.0 | 1.5 |
| Max. 11.0 | 2.0 |

Expansion = Nozzle Length(A) x 0.0000132 x (Nozzle temp - Mold temp)

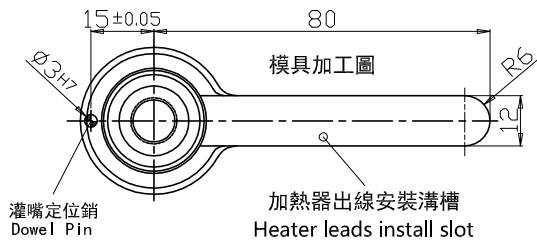
請注意/Note:
澆口G大小範圍從0.9~1.5mm, 尺寸依成型材質及成品厚薄來決定。
G dimension selection from 0.9~1.5mm, the final size should be determined by application.

For Example,
Nozzle Length=45mm,
Nozzle temp=250°C
Mold temp=20°C
Expansion=45x0.0000132x(250-20)
=0.14mm

CMM32-Type TCE

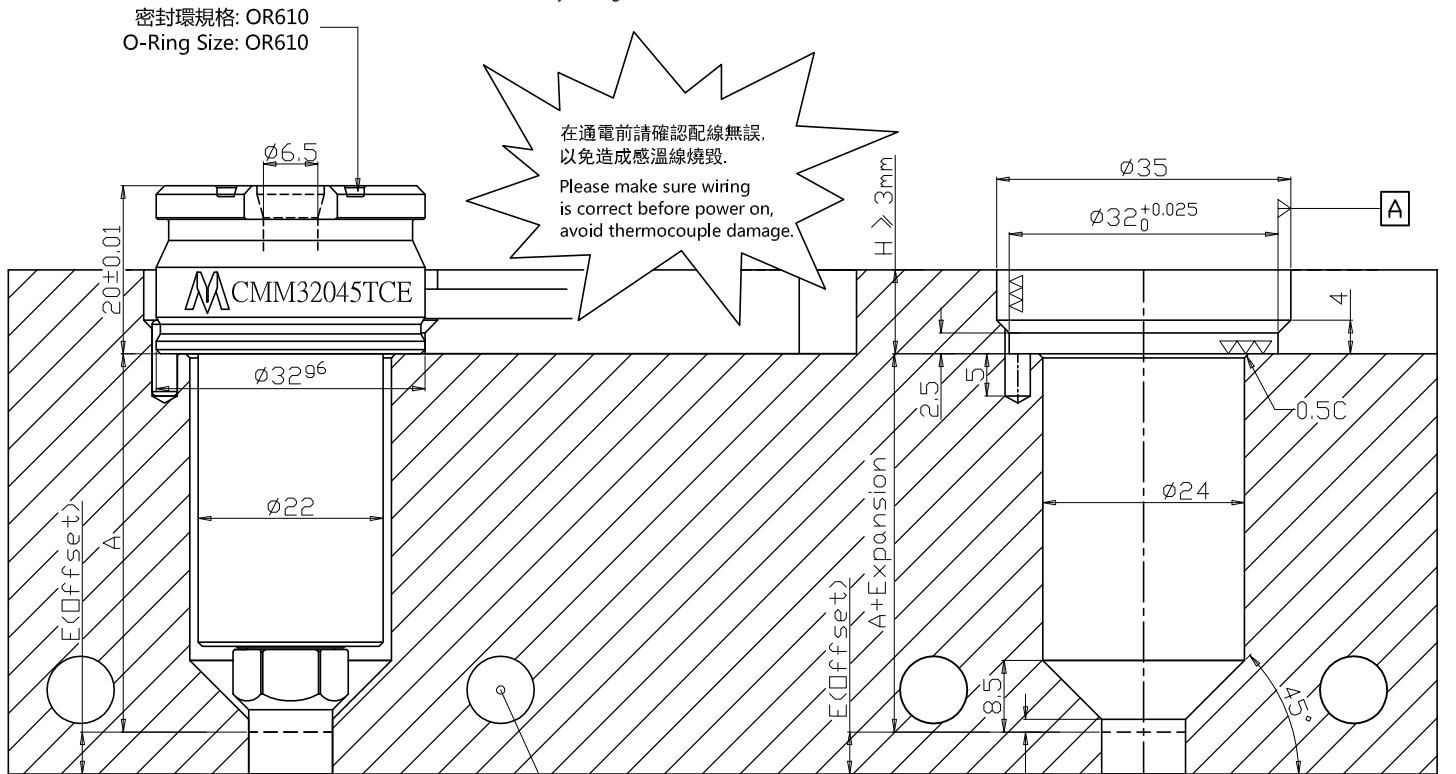
| 灌嘴型號 Nozzle code | A尺寸/mm A Length/mm | 加熱器編號 Heater code | 加熱功率/W Power/W |
|---------------------|-----------------------|----------------------|-------------------|
| CMM32045TCE | 45 | CH-13033BY | 330 |
| CMM32060TCE | 60 | CH-13040BY | 400 |
| CMM32075TCE | 75 | CH-13040BY | 400 |
| CMM32090TCE | 90 | CH-13047BY | 470 |
| CMM32105TCE | 105 | CH-13047BY | 470 |

本系列灌嘴長度亦可依模具設計提供客製品, 相關產品圖面需求請與本公司相關人員洽詢。
For C series, we offer tailor-made nozzle length option, please contact us for drawing and further details.



請注意: 本系統加熱器出線共有五條, 其中兩條是電熱線, 顏色各為橘色與灰色, 另外兩條為歐規J型絕緣式感溫線, 紅色代表正極, 藍色代表負極, 最後一條是接地線, 顏色為黃綠色。

Note: Each C series nozzle heater contains 5 wireleads, 2 are for power, the wireleads colour are orange and gray, 2 are for J type insulated thermocouple, the red colour is positive and blue colour is negative, the ground lead colour is yellow green.



密封環規格: OR610
O-Ring Size: OR610

在通電前請確認配線無誤, 以免造成感溫線燒毀。
Please make sure wiring is correct before power on, avoid thermocouple damage.

SEAL TORQUE: 250kgf/cm
(24N.m)

冷却水路
Cooling Circuit

灌嘴熱膨脹量參考表

Nozzle thermo expansion length table

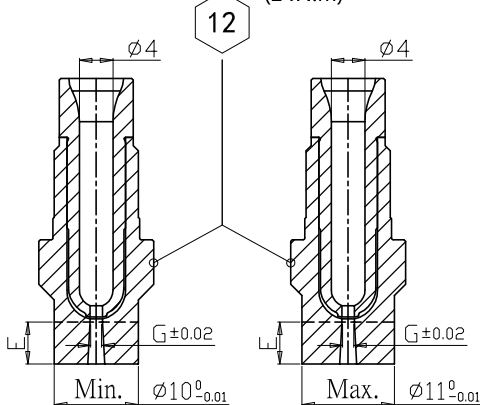
| Expansion coefficient | 1.32E-05 | Expansion length |
|-----------------------|----------|------------------|
| Mold temp | 20 | |
| Nozzle temp | 250 | |
| 溫差 | 230 | |
| Nozzle length | 45 | 0.14 |
| | 60 | 0.19 |
| | 75 | 0.23 |
| | 90 | 0.28 |
| | 105 | 0.32 |

| ØD尺寸/mm ØD dia/mm | L尺寸/mm L Length/mm |
|----------------------|-----------------------|
| Min. 10.0 | 1.5 |
| Max. 11.0 | 2.0 |

請注意/Note:

E尺寸可依據客戶模具需求訂制合適的長度尺寸。

Dimension E can be customized by customer demand.



$$\text{Expansion} = \text{Nozzle Length}(A) \times 0.0000132 \times (\text{Nozzle temp} - \text{Mold temp})$$

For Example,

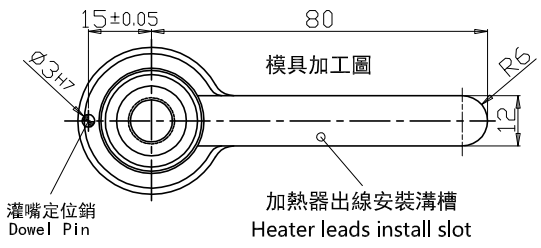
Nozzle Length=45mm,
Nozzle temp=250°C
Mold temp=20°C
Expansion=45x0.0000132x(250-20)
=0.14mm

請注意/Note:

澆口G大小範圍從Ø1.2~1.6mm, 尺寸依成型材質及成品厚薄來決定。

G dimension selection from Ø1.2~1.6mm, the final size should be determined by application.

CMM32-Type TE

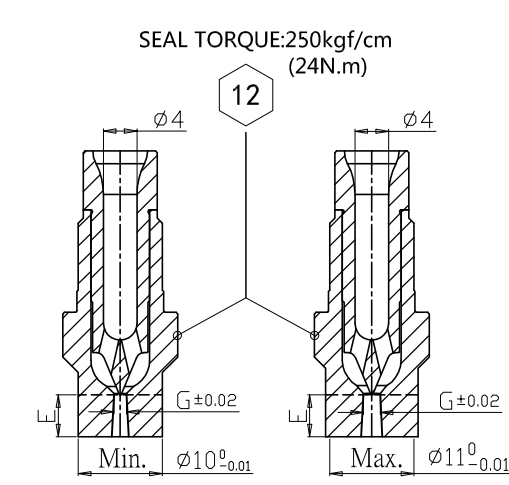
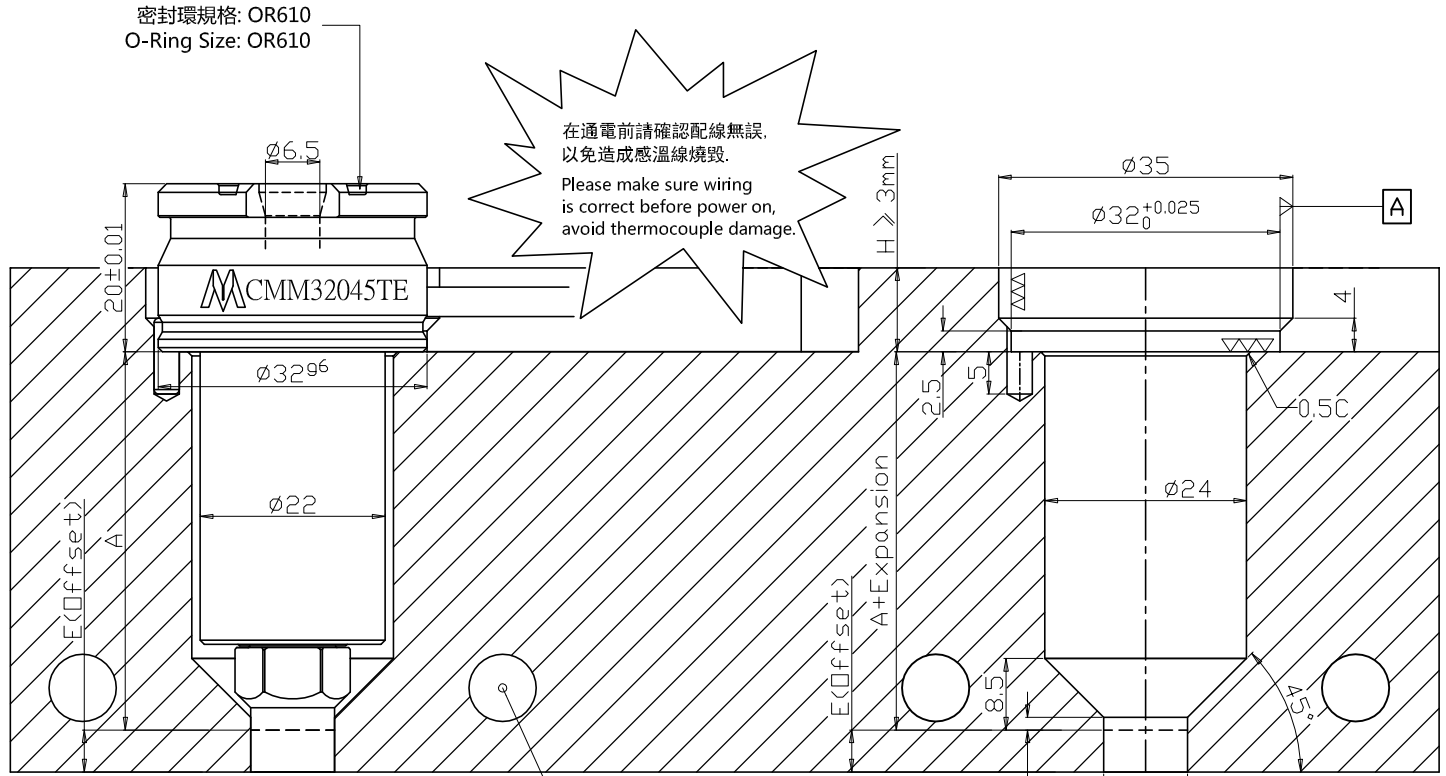


| 灌嘴型號 Nozzle code | A尺寸/mm A Length/mm | 加熱器編號 Heater code | 加熱功率/W Power/W |
|---------------------|-----------------------|----------------------|-------------------|
| CMM32045TE | 45 | CH-13033BY | 330 |
| CMM32060TE | 60 | CH-13040BY | 400 |
| CMM32075TE | 75 | CH-13040BY | 400 |
| CMM32090TE | 90 | CH-13047BY | 470 |
| CMM32105TE | 105 | CH-13047BY | 470 |

本系列灌嘴長度亦可依模具設計提供客製品, 相關產品圖面需求請與本公司相關人員洽詢。
For C series, we offer tailor-made nozzle length option, please contact us for drawing and further details.

請注意: 本系統加熱器出線共有五條, 其中兩條是電熱線, 顏色各為橘色與灰色, 另外兩條為歐規J型絕緣式感溫線, 紅色代表正極, 藍色代表負極, 最後一條是接地線, 顏色為黃綠色。

Note: Each C series nozzle heater contains 5 wireleads, 2 are for power, the wireleads colour are orange and gray, 2 are for J type insulated thermocouple, the red colour is positive and blue colour is negative, the ground lead colour is yellow green.



灌嘴熱膨脹量參考表
Nozzle thermo expansion length table

| Expansion coefficient | 1.32E-05 | Expansion length |
|-----------------------|----------|------------------|
| Mold temp | 20 | |
| Nozzle temp | 250 | |
| 溫差 | 230 | |
| Nozzle length | 45 | 0.14 |
| | 60 | 0.19 |
| | 75 | 0.23 |
| | 90 | 0.28 |
| | 105 | 0.32 |

| ØD尺寸/mm ØD dia/mm | L尺寸/mm L Length/mm |
|----------------------|-----------------------|
| Min. 10.0 | 1.5 |
| Max. 11.0 | 2.0 |

請注意/Note :
E尺寸可依據客戶模具需求訂制合適的長度尺寸。
Dimension E can be customized by customer demand.

Expansion = Nozzle Length(A) x 0.0000132 x (Nozzle temp - Mold temp)

請注意/Note:
澆口G大小範圍從1.5~2.2mm, 尺寸依成型材質及成品厚薄來決定。
G dimension selection from 1.5~2.2mm, the final size should be determined by application.

For Example,
Nozzle Length = 45mm,
Nozzle temp = 250°C
Mold temp = 20°C
Expansion = 45 x 0.0000132 x (250 - 20) = 0.14mm